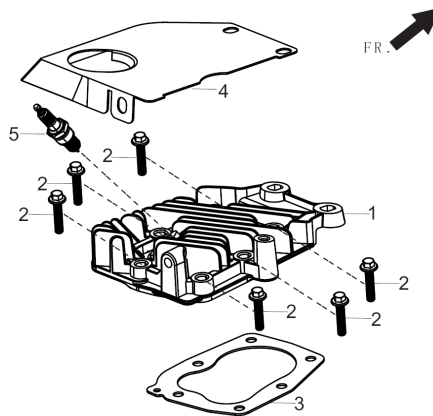
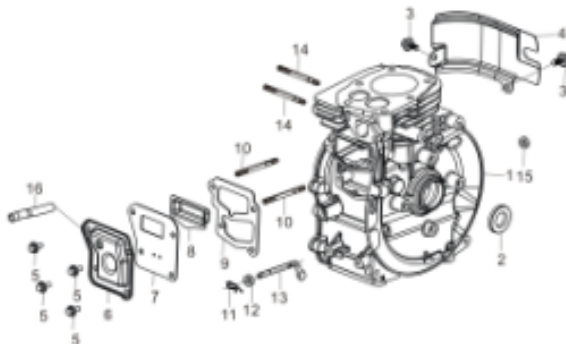


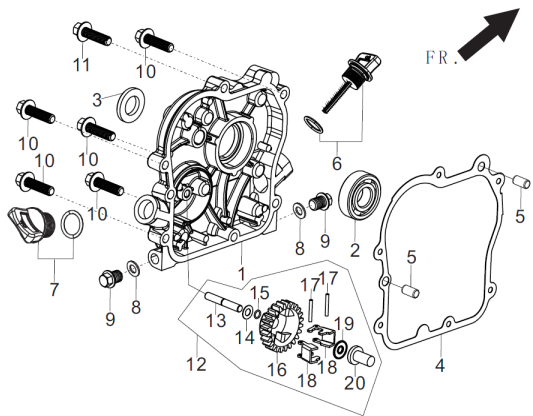
FIG.1 CYLINDER HEAD / PLUG,SPARK (E04)

REF.NO.	PART NO	DESCRIPTION	Q'TY
E04-1	12140-Z450110-0D00	HEAD SUBASSEMBLY, CYLINDER	1
E04-2	90001-0635-01	BOLT	6
E04-3	12131-Z450110-0000	GASKET, CYLINDER HEAD	1
E04-4	12014-Z450220-0000	CYLINDER HAED SHROUD	1
E04-5	30010-Z450410-0000	PLUG, SPARK	1

FIG.2 CRANKCASE ASSY. (E17)

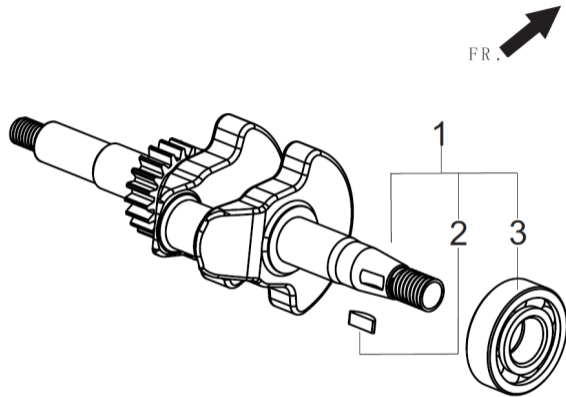
REF.NO.	PART NO		DESCRIPTION	Q'TY
E17-1	11310-Z450210-0B00		CRANKCASE SUBASSEMBLY.	1
E17-2	90682-Z510110-0000		SEAL, OIL	1
E17-3	90001-0612-01		BOLT	2
E17-4	19304-Z450210-0000		SHROUD, CYLINDER BODY	1
E17-5	90001-0510-01		BOLT	4
E17-6	11302-Z450110-0000		OUTER CASE	1
E17-7	11303-Z450110-0000		WASHER	1
E17-8	11301-Z450210-0000		WASHER, INNER CASE	1
E17-9	11304-Z450110-0000		GASKET	1
E17-10	90204-Z450110-0000		STUD	2
E17-11	90501-Z450110-0000		PIN	1
E17-12	90412-Z450210-0000		WASHER, FLAT	1
E17-13	16061-Z450110-0000		ARM, GOVERNOR	1
E17-14	90203-Z450110-0000		STUD	2
E17-15	90682-Z450120-0000		SEAL, OIL	1
E17-16	17004-Z450110-0000		TUBE, BREATHER	1

FIG.3 COVER SUBASSEMBLY, CRANKCASE (E01)

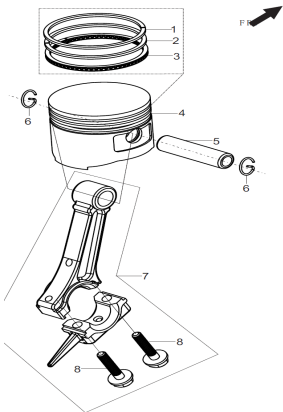


REF.NO.	PART NO	DESCRIPTION	Q'TY
E01-1	11411-Z450310-0D00	COVER, CRANKCASE	1
E01-2	90548-0203-00	BEARING	1
E01-3	90682-Z510110-0000	SEAL, OIL	1
E01-4	11001-Z450120-0000	GASKET, CRANKCASE	1
E01-5	90502-0814-00	PIN	2
E01-6	15010-Z450110-Q500	DIPSTICK SUBASSEMBLY, OIL	1
E01-8	90408-Z010110-0000	WASHER, FLAT	2
E01-9	11007-Z450110-0000	BOLT, DRAIN PLUG	2
E01-10	90001-0630-01	BOLT	5
E01-11	90001-0625-01	BOLT	1
E01-12	16400-Z450110-0000	GEAR ASSY, GOVERNOR	1

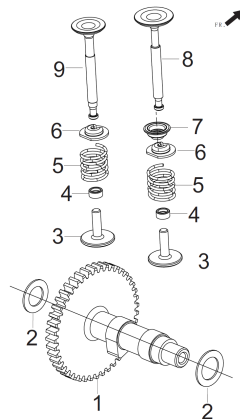
FIG.4 ROD,CRANKSHAFT CONNETING (E03)



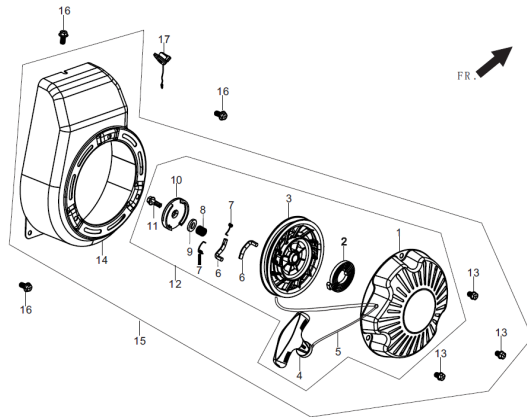
REF.NO.	PART NO		DESCRIPTION	Q'TY
E03-1	13300-Z450410-0000		CRANKSHAFT ASSY.	1

FIG.5 RING SET,OIL / ROD,CRANKSHAFT CONNETING (E03)

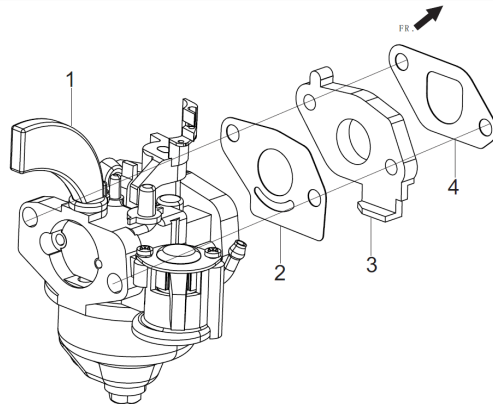
REF.NO.	PART NO		DESCRIPTION	Q'TY
E04-1	13201-Z450110-0000		RING, THE FIRST	1
E04-2	13202-Z450110-0000		RING, THE SECOND	1
E04-3	13210-Z450110-0000		RING SET, OIL	1
E04-4	13111-Z450110-0000		PISTON	1
E04-5	13121-Z450110-0000		PIN, PISTON	1
E04-6	13122-Z450110-0000		CLIP, PISTON PIN	2
E04-7	13010-Z450110-0000		ROD, CONNECTING	1

FIG.6 TRAIN, VALVE / CAMSHAFT SUBASSEMBLY (E05)

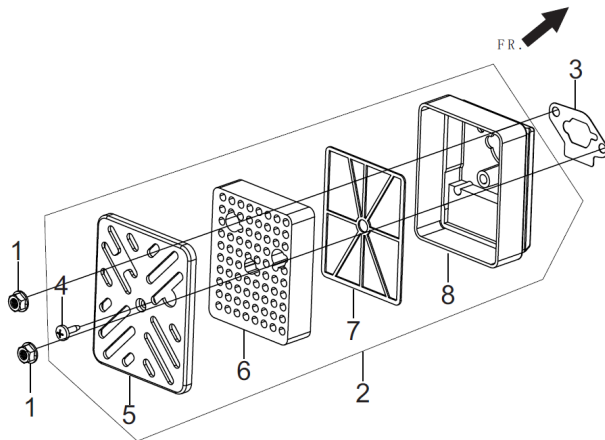
REF.NO.	PART NO		DESCRIPTION	Q'TY
E04-1	14200-Z450110-0000		CAMSHAFT ASSY.	1
E04-2	90412-Z450110-0000		WASHER, FLAT	2
E04-3	14081-Z450120-0030		TAPPET, VALVE	2
E04-4	12104-Z450110-0000		ROTATOR, VALVE	2
E04-5	12103-Z450110-0000		SPRING, VALVE	2
E04-6	12112-Z450110-0000		SEAT, VALVE SPRING	2
E04-7	12101-Z450110-0000		GUIDE, SEAL	1
E04-8	12111-Z450110-0000		VALVE, INTAKE	1
E04-9	12121-Z450110-0000		VALVE, EXHAUST	1

FIG.7 STARTER,RECOIL (E08)

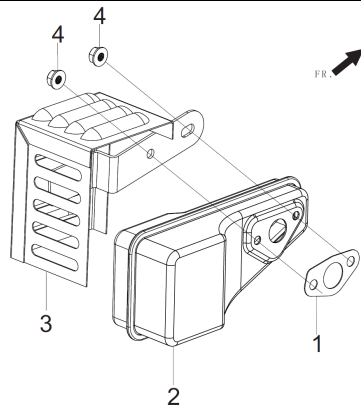
REF.NO.	PART NO	DESCRIPTION	Q'TY
E08-12	28200-Z450110-Y100	STARTER ASSY, RECOIL	1
E08-13	90001-0608-01	BOLT	3
E08-14	28110-Z450110-Y100	SHROUD	1
E08-16	90001-0612-01	BOLT	3
E08-17	35540-Z060220-QG00	SWITCH SUBASSEMBLY, STOP ENGINE	1

FIG.9 CARBURETOR ASSY. (E11)

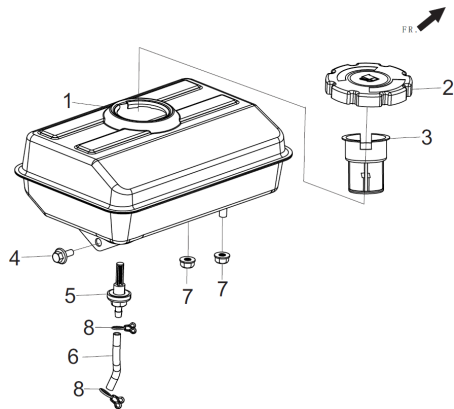
REF.NO.	PART NO		DESCRIPTION	Q'TY
E11-1	16100-Z450210-0000		CARBURETOR ASSY.	1
E11-2	16001-Z450120-0000		GASKET, CARBURETOR	1
E11-3	16003-Z450110-0000		PLATE, CARBURETOR INSULATOR	1
E11-4	17002-Z450120-0000		GASKET, INLET	1

FIG.10 CLEANER, AIR (F02)

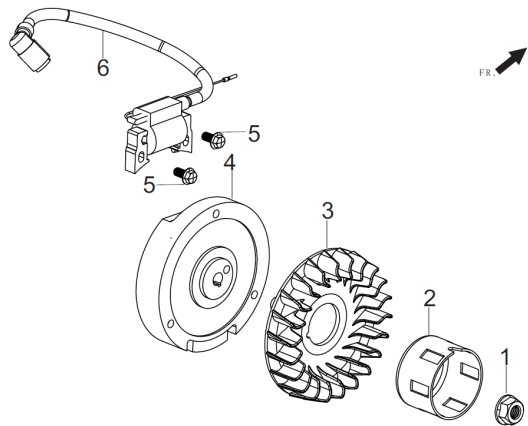
REF.NO.	PART NO	DESCRIPTION	Q'TY
E04-1	90305-0500-31	BOLT	2
E04-2	17100-Z450220-0000	CLEANER, AIR	1
E04-3	17001-Z450120-0000	GASKET, AIR CLEANER	1

FIG.11 MUFFLER ASSY. (F04)

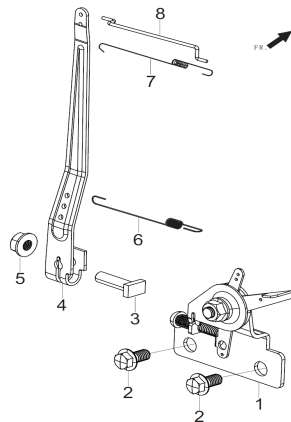
REF.NO.	PART NO	DESCRIPTION	Q'TY
F04-1	18001-Z450110-0000	GASKET, EXHAUST OUTLET	1
F04-2	18160-Z450210-0000	MUFFLER BODY	1
F04-3	18013-Z450210-QA00	MUFFLER SHIELD	1
F04-4	90305-0600-31	NUT	2

FIG.12 TANK ASSY, FUEL (F01)

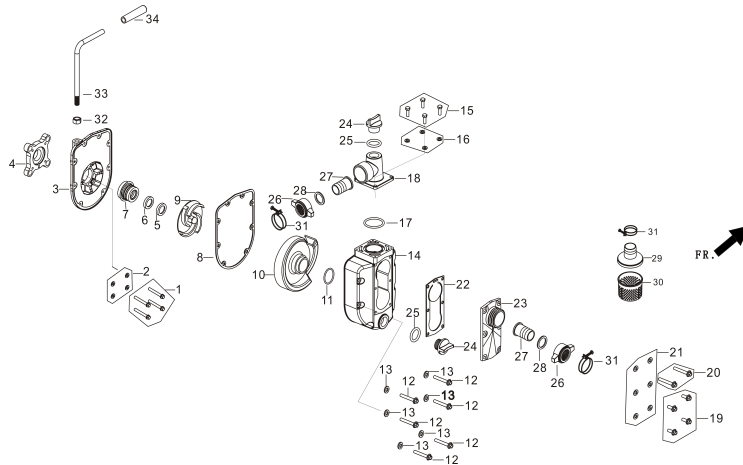
REF.NO.	PART NO		DESCRIPTION	Q'TY
F01-1	16620-Z450210-Y100		TANK, FUEL	1
F01-2	16730-Z300120-0000		COVER, FUEL TANK	1
F01-3	16652-Z450110-0000		STRAINER, FUEL	1
F01-4	90001-0612-01		BOLT	1
F01-5	16680-Z010110-0000		OUTLET SUBASSEMBLY, FUEL TANK OIL	1
F01-6	90686-Z450210-0000		TUBE, FUEL	1
F01-7	90305-0600-31		NUT	2
F01-8	90740-Z010210-0000		COLLAR	2

FIG.13 FLYWHEEL / IMPELLER / STARTER PULLEY / IGNITION COIL (E15)

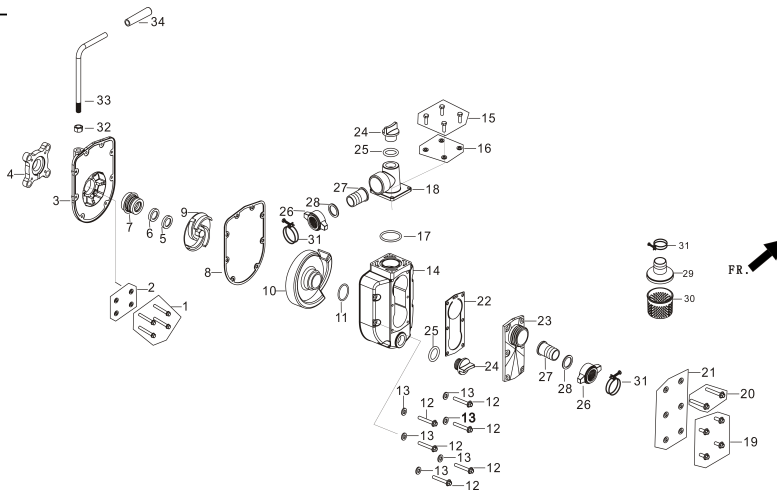
REF.NO.	PART NO		DESCRIPTION	Q'TY
E15-1	13501-Z510110-0000		NUT, FLYWHEEL	1
E15-2	28002-Z450110-0000		PULLEY,STARTER	1
E15-3	19352-Z450110-0000		IMPELLER	1
E15-4	13510-Z450120-0000		FLYWHEEL SUBASSEMBLY	1
E15-5	90001-0625-01		BOLT	2
E15-6	30400-Z450310-0000		COIL, IGNITION	1

FIG.14 CONTROL ASSY, THROTTLE (E13)

REF.NO.	PART NO	DESCRIPTION	Q'TY
E13-1	16520-Z450210-0000	CONTROL ASSY, THROTTLE	1
E13-2	90001-0612-01	BOLT	2
E13-3	16072-Z010110-0000	BOLT, GOVERNOR SUPPORT	1
E13-4	16070-Z450110-0000	SUPPORT SUBASSEMBLY, GOVERNOR	1
E13-5	90305-0600-31	NUT	1
E13-6	16063-Z450110-0000	SPRING, GOVERNOR	1
E13-7	16012-Z450110-0000	SPRING, THROTTLE VALVE RETURNING	1
E13-8	16062-Z450110-0000	ROD, GOVERNEOR	1

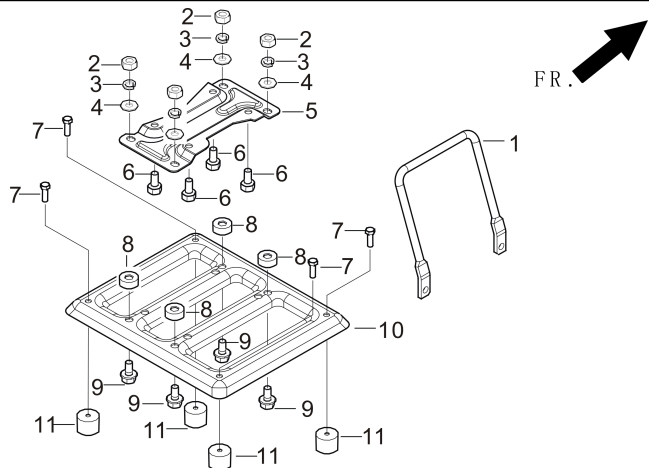
FIG.15 (F68)


REF.NO.	PART NO		DESCRIPTION	Q'TY
F68-1	90001-V050310-0000		BOLT	4
F68-2	90409-V050110-0000		GASKET	4
F68-3	70118HV050110-0000		JOINT, WATER PUMP	1
F68-4	70118-V050110-0000		JOINT, WATER PUMP	1
F68-5	70125-V050110-0000		RING, IMPELLER SEAL	1
F68-6	70309-V050110-0000		SEAL, PORCELAIN	1
F68-7	70300-V050110-0000		SEAL ASSY, MECHANISM	1
F68-8	70119-V050110-0000		CUSHION, WATER PUMP JOINT	1
F68-9	70102-V050110-0000		IMPELLER, WATER PUMP	1
F68-10	70103-V050110-0000		CASE, WHORL	1
F68-11	70104-V050110-0000		RIGN, WHORL CASE SEALING	1
F68-12	90001-V050410-0000		BOLT	6
F68-13	90409-V050110-0000		GASKET	6
F68-14	70105-V050110-0000		PUMP BODY	1
F68-15	90001-V050110-0000		BOLT	4
F68-16	90409-V050110-0000		GASKET	4
F68-17	70109-V050110-0000		GASKET, OUTLET	1
F68-18	70108-V050110-0000		OUTLET, WATER	1
F68-19	90001-V050310-0000		BOLT	4

FIG.15 (F68)


F68-20	90001-V050210-0000		BOLT	2
F68-21	90409-V050110-0000		GASKET	6
F68-22	70115-V050110-0000		GASKET, INLET WATER	1
F68-23	70116-V050110-0000		INLET, WATER	1
F68-24	70107-V050110-0000		PLUG, THREAD	2
F68-25	70122-V050110-0000		WASHER, SCREW PLUG	2
F68-26	70111-V050110-0000		JOINT, HOSE	2
F68-27	70112-V050110-0000		INTERFACE, HOSE	2
F68-28	70131-V050110-0000		RING, HOSE JOINT SEAL	2
F68-29	70113-V050110-0000		COVER, FILTER	1
F68-30	70114-V050110-0000		FILTER	1
F68-31	70400-V050110-0000		HOOP SUBASSEMBLY, HOSE	3
F68-32	54110-V050110-0000		TUBE ASSY, HANDLE	1
	70100-V050110-0000	Pump Parts	PUMP ASSY, WATER	1

FIG.16 FRAME ASSY, ENGINE (E16)



REF.NO.	PART NO	DESCRIPTION	Q'TY
E16-1	54110-V050110-0000	HANDLE	1
E16-2	90303-0800-31	NUT	4
E16-3	90403-0800-00	WASHER	4
E16-4	90408-0800-01	WASHER	4
E16-5	51002-Z450110-0000	PLATE,ENGINE FIXED BOTTOM	1
E16-6	90001-0816-01	BOLT	4
E16-7	90001-0610-01	BOLT	4
E16-8	51146-V030110-0000	SEAT, WATER PUMP	4
E16-9	90001-0825-01	BOLT	4
E16-10	51143-V040110-H600	PLATE, BOTTOM	1
E16-11	51014HY450110-0000	SEAT, ENGINE FRAME SHOCK ABSORPTION	4